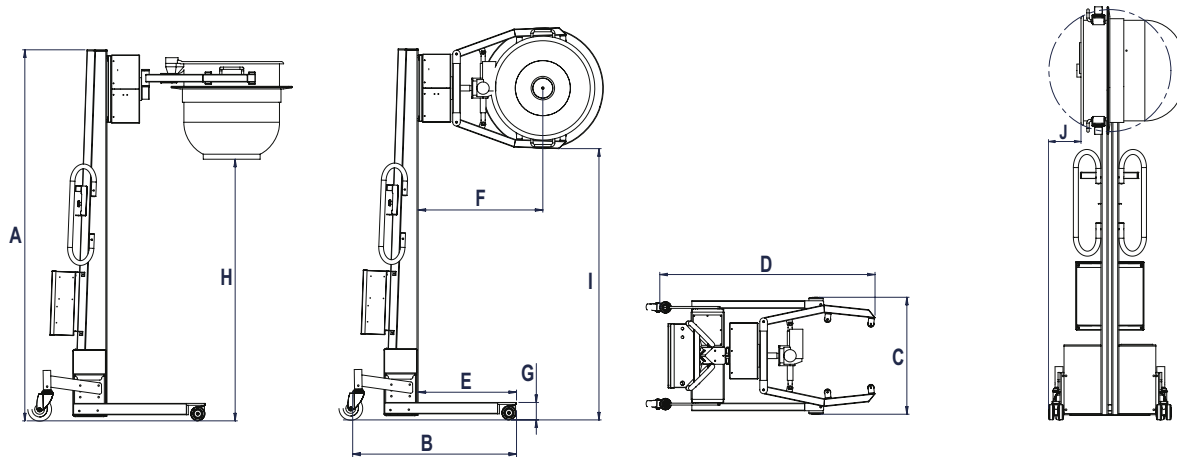


# FLEXLIFT



Lifting heights	Flexlift - medium			Flexlift - high		
	Bowl size	H (mm)	I (mm)	J (mm)	H (mm)	I (mm)
30	1455 mm	1500 mm	180 mm	1805 mm	1850 mm	180 mm
40	1385 mm	1485 mm	175 mm	1735 mm	1835 mm	175 mm
40/20	1485 mm	1485 mm	175 mm	1835 mm	1835 mm	175 mm
60	1340 mm	1460 mm	170 mm	1690 mm	1810 mm	170 mm
60/30	1445 mm	1485 mm	170 mm	1795 mm	1835 mm	175 mm
80	1350 mm	1430 mm	163 mm	1700 mm	1780 mm	163 mm
80/40	1385 mm	1485 mm	163 mm	1735 mm	1835 mm	168 mm

Dimensions, mm	Medium	High
	A	1965
B	865	865
C	590-750	590-750
D	1135	1135
E	520	520
F	650 +/- 15	650 +/- 15
G	92	92
Wheel size, mm	75-125	75-125

We are not responsible for variations in the lifting dimensions specified.

## Technical data

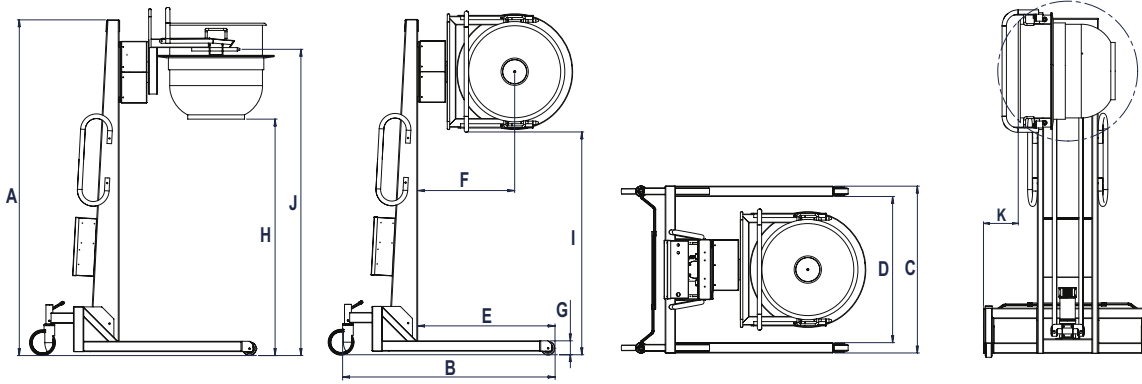
	Medium	High
Lifting capacity, kg	max. 80	max. 80
Material	Powder-coated aluminium or stainless steel	
Number of lifts per charge (1 m with 80 kg load)	80	80
Net weight, kg (aluminium/stainless steel)	58/83	61/87
Total height, mm	1965	2315
Lifting speed mm/sec. - max./min.	125 / 100	125 / 100
Power supply	230 V	230 V
Rechargeable, maintenance-free batteries	24V - 18A	24V - 18A
Charger	3A	3A
Recharging time (flat battery)	4 hours	4 hours
Safety	Free-wheel bearing with safety coupling, electric overload cut-out	

## Lift variants

Flexlift	Machine size	Rotation		Material		Total height	
Capacity 30-80 kg ingredients	Varimixer	Manual	Electrical	Aluminium	Stainless steel	Low 1,95 m	Heigh 2,3 m
	30-80 L	x		x		x	
	30-80 L	x		x			x
	30-80 L	x			x	x	
	30-80 L	x			x		x
	30-80 L		x	x		x	
	30-80 L		x	x			x
	30-80 L		x		x	x	
	30-80 L		x		x		x

This lift fixates the bowl by means of a clamping function

# MAXILIFT / MEGALIFT



Lifting heights	Maxilift			Megalift		
	medium	high	K (mm)	medium	high	K (mm)
Bowl size	H (mm)	H (mm)	K (mm)	H (mm)	H (mm)	K (mm)
100	1374	1724	200			
100/60	1406	1756	197			
100/40	1457	1807	175			
140				1228	1578	190
140/80				1290	1640	225
200				1083	1433	117,5
200/100				1260	1610	155

Maxilift and Megalift are available with an extra-high tower for a surcharge.  
We are not responsible for variations in the lifting dimensions specified.

Dimensions, mm	Maxilift		Megalift	
	Medium	High	Medium	High
A	1960	2310	1965	2315
B	1235	1235	1235	1235
C	970	970	970	970
D	850	850	850	850
E	800	800	800	800
F	565	565	615	615
G	83	83	83	83
I	1295	1645	1150	1500
J	330-1780	330-2130	380-1680	380-2030
Wheel size mm	80-150	80-150	80-150	80-150

Technical data	Maxilift		Megalift	
	medium	high	medium	high
Lifting capacity, kg	110	110	200	200
Material	Powder-coated aluminium or stainless steel		Powder-coated aluminium or stainless steel	
Number of lifts per charge (1 m with a load of 110/200 kg)	80	80	80	80
Net weight, kg (aluminium/stainless steel)	108/108	114/114	135/135	142/142
Total height, mm	1960	2310	1965	2315
Lifting speed mm/sec. max./min.	125 / 100	125 / 100	125 / 100	125 / 100
Power supply	230 V	230 V	230 V	230 V
Rechargeable, maintenance-free batteries	24V - 18A	24V - 18A	24V - 18A	24V - 18A
Charger	3A	3A	3A	3A
Recharging time (flat battery)	4 hours	4 hours	4 hours	4 hours
Safety	Free-wheel bearing with safety coupling, electric overload cut-out		Free-wheel bearing with safety coupling, electric overload cut-out	

## Lift variants

Maxilift	Machine size	Rotation	Material		Total height	
Capacity max. 110 kg ingredients	Varimixer	Electrical	Aluminium	Stainless steel	Low 1,95 m	Heigh 2,3 m
	100 L	x	x		x	
	100 L	x	x			x
	100 L	x		x	x	
	100 L	x		x		x

This lift fixates the bowl by means of a snaplock fitting which should be mounted on the bowl ring.  
When buying bowl and lift at the same time, this is made by Wodschow.

Megalift	Machine size	Rotation	Material		Total height	
Capacity max. 200 kg ingredients	Varimixer	Electrical	Aluminium	Stainless steel	Low 1,95 m	Heigh 2,3 m
	140 - 200 L	x	x		x	
	140 - 200 L	x	x			x
	140 - 200 L	x		x	x	
	140 - 200 L	x		x		x

This lift fixates the bowl by means of a snaplock fitting which should be mounted on the bowl ring.  
When buying bowl and lift at the same time, this is made by Wodschow.